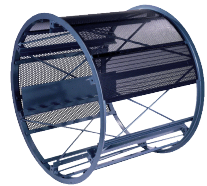
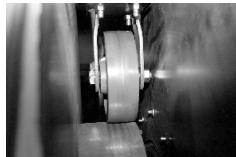


# CARTER DAY TROMMEL 4-50 / 5-50

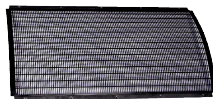



Carter Day has been manufacturing quality processing equipment for over 100 years. We continue this tradition of quality equipment with the TROMMEL.

The Carter Day Trommel is a high capacity cylindrical screen separator used for initial or rough cleaning for virtually any scalping or cleaning need in processing wheat, oats, rice, corn, sunflower, barley, soybean, etc. and most other free flowing granular materials. It features a shaftless cylinder in either 36" or 50" diameter. The Trommel is available in 4 or 5 cylinder sections which are covered by patented screen segments. Cylinder screen arrangements provide multiple combinations of sift and / or scalp combinations. The slope is fixed at either 2o or 6o with optional adjustable telescoping legs.



The modular design of the cylinder sections maintains structural integrity and fatigue resistance by using angle iron longitudinal stringers and rods for circumferential cross bracing. The unique cylinder design is supported by a stub shaft at the discharge end and three trunnion wheels at the unrestricted inlet sealed by a "V" ring seal (no center shaft or bearing in the product flow). The Trommel cylinder can be configured in four or five modular cylinder sections with multiple screen segments on each section for structural integrity.



US Patent 5,507,396

### Corn Cleaning Sift and Scalp

4-50	5-50
BU/MT	BU/MT
4200/106	6000/152

THE PRODUCT FLOW SYSTEM offers a baffle plate at the inlet to provide a slow down of product for proper screen exposure; While the patented melonite hardened segmented screen design provides unique structural integrity and the flexibility of screen configuration in the field. Each cylinder section can be configured for either scalp or sift by simply changing screen segments. The wooden rollers make the screens self cleaning by gently dislodging the product back into the cylinder for continued processing. Retarder rings on the last section of the cylinder increase the efficiency of the cleaning process by holding the product in the cylinder until the scalping process is complete.

ADJUSTABLE LEGS TO ALLOW ADDITIONAL SLOPE ADJUSTMENT



CARTER DAY INTERNATIONAL  
500 73rd Ave. N.E. Minneapolis, Minnesota 55432 Tel: (763) 571-1000 Fax: (763) 571-3012

# CARTER DAY HAMMERMILL CAPACITIES



### MEDIUM TO FINE PARTICLE SIZE GMO CORN

Model	Motor Range	Hammers & Pattern	Screen Area	Venting CFM	4-5 <sup>64</sup> th	6-8 <sup>64</sup> th	10-12 <sup>64</sup> th	14-16 <sup>64</sup> th	20-24 <sup>64</sup> th
					Lbs/Hp/Hr Corn 56	Lbs/Hp/Hr Corn 56	Lbs/Hp/Hr Corn 56	Lbs/Hp/Hr Corn 56	Lbs/Hp/Hr Corn 56
MZH 4216	75-100	3x2 C	1270	1600	96-105	150-200	220-270	280-320	390-430
MZH 4222	100-150	3x2 C	1795	2300	-	-	-	-	-
MZH 4232	150-200	3x2 C	2583	3300	-	-	-	-	-
MZH 4241	250-300	3x2 C	3370	4300	-	-	-	-	-
MZH 4250	300-350	3x2 C	4158	5200	-	-	-	-	-

### MEDIUM TO FINE PARTICLE SIZE STOVER

Model	Motor Range	Hammers & Pattern	Screen Area	Venting CFM	14 <sup>64</sup> th	16 <sup>64</sup> th	20 <sup>64</sup> th	24 <sup>64</sup> th	28 <sup>64</sup> th
					Lbs/Hp/Hr Stover	Lbs/Hp/Hr Stover	Lbs/Hp/Hr Stover	Lbs/Hp/Hr Stover	Lbs/Hp/Hr Stover
MZH 4216	75-100	3x2 C	1270	1600	50-55	55-60	60-65	-	-
MZH 4222	100-150	3x2 C	1795	2300	-	-	-	-	-
MZH 4232	150-200	3x2 C	2583	3300	-	-	-	-	-
MZH 4241	250-300	3x2 C	3370	4300	-	-	-	-	-
MZH 4250	300-350	3x2 C	4158	5200	-	-	-	-	-

### MEDIUM TO FINE PARTICLE SIZE COBB

Model	Motor Range	Hammers & Pattern	Screen Area	Venting CFM	2' Round	No Screen
					Lbs/Hp/Hr Cobb	Lbs/Hp/Hr Cobb
MZH 4216	75-100	3x2 C	1270	1600	190-193	210-225
MZH 4222	100-150	3x2 C	1795	2300	-	-
MZH 4232	150-200	3x2 C	2583	3300	-	-
MZH 4241	250-300	3x2 C	3370	4300	-	-
MZH 4250	300-350	3x2 C	4158	5200	-	-

### MEDIUM TO FINE PARTICLE SIZE SWITCH GRASS

Model	Motor Range	Hammers & Pattern	Screen Area	Venting CFM	10 <sup>64</sup> th	16 <sup>64</sup> th	20 <sup>64</sup> th	22 <sup>64</sup> th	24 <sup>64</sup> th
					Lbs/Hp/Hr S. Grass	Lbs/Hp/Hr S. Grass	Lbs/Hp/Hr S. Grass 5	Lbs/Hp/Hr S. Grass	Lbs/Hp/Hr S. Grass
MZH 4216	75-100	3x2 C	1270	1600	60-70	160-170	200-210	-	-
MZH 4222	100-150	3x2 C	1795	2300	-	-	-	-	-
MZH 4232	150-200	3x2 C	2583	3300	-	-	-	-	-
MZH 4241	250-300	3x2 C	3370	4300	-	-	-	-	-
MZH 4250	300-350	3x2 C	4158	5200	-	-	-	-	-

### POCKET FEEDER CAPACITIES ON WHOLE GRAINS

Machine Combination	Hammermill Motor-R	Feeder Model	Number of Flows	Number Pockets	Lb/hr	Lbs/hr	Lbs/hr	Lbs/hr	Lbs/Hr
					Corn 56	Wheat 60	Barley 48	Canola	Sorghum
MZH 4216	75-100	10"RF	5	40	22800-43500	15800-46400	13200-36700	14300-46400	19200-40500
MZH 4222	100-150	10"RF	7	56	30400-60500	20800-64500	17600-51100	19000-64500	25600-60500
MZH 4232	150-200	10"RF	10	80	45600-86200	31200-92000	26400-72800	28500-92000	38400-86200
MZH 4241	250-300	10"RF	13	104	76000-111800	52000-119200	44000-94400	47500-119200	64000-111800
MZH 4250	300-350	10"RF	16	128	91200-137200	62400-146400	52800-115900	57000-146400	76800-137200
MZH Dimensions	HP	RPM	WT/No Motor	Useable Screen Area	Hammer Tip Speed ft/min	Standard Hammer Size			
MZH 4216	75-100	1800/1200	4700	1270SQ IN	19242/1800, 12645/1200	1/4x2.5x10"			
MZH 4222	100-150	-	5300	1795 SQ IN	-	-			
MZH 4232	150-200	-	8000	2583SQ IN	-	-			
MZH 4241	250-300	-	7100	3370 SQ IN	-	-			
MZH 4250	300-350	-	8300	4158 SQ IN	-	-			

### Jacobson Hammermill



### Notes On Above Capacities:

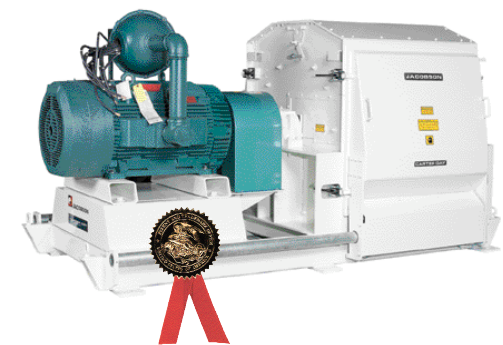
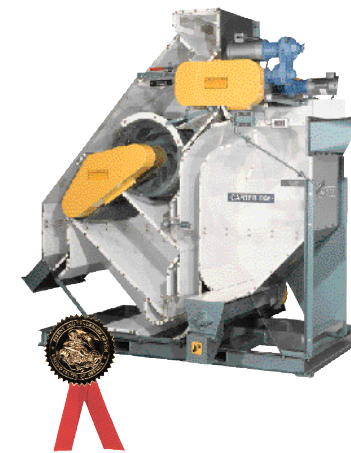
Hammermill capacities are in Pounds to be converted to pounds per horse power per hour. Moisture Content not to exceed 13%  
Product Identification: Corn is GMO Corn, Grain Identified by Bushel weight, Hulls and Meal lbs/cu.ft.  
Full Scale Customer Product Testing Available.  
The 42 Series XLT is not shown in the capacities charts above but is still available for order at this time.

CARTER DAY INTERNATIONAL  
500 73rd Ave. N.E. Minneapolis, Minnesota 55432 Tel: (763) 571-1000 Fax: (763) 571-3012

# CARTER DAY Sizing & Separating Equipment



## ETHANOL PRE CLEANING AND HAMERMILLING



2 Year Warranty

## CARTER DAY MULTI-ZONE HAMMERMILL



The MZH Hammermill is used for grinds that require medium to fine particle size reduction. It can be used on all free flowing granular materials ranging from alfalfa to wheat.

The Dual Rotation Multi-Zone Hammermill consist of a double radius cutting plate with staggered slotted rows and offset rotor with 3/16" hammer to cutting plate clearance .

The cutting plates offer significant size reduction prior to the products contact to the screen making size reduction more effective.

We also use a Secondary Cutting Plate at the screen carriage discharge offering product flow interruption sending it back into the hammers path for further size reduction .

Since we are using cutting plates to perform a significant portion of the size reduction, we are able to use larger screen perforations. Larger hole allows thicker screens for extended screen life and reduced air venting volumes required.

The hammer tip speed is up to 19,200 feet per minute which gives optimum grinding performance when used in conjunction with our cutting plate system.

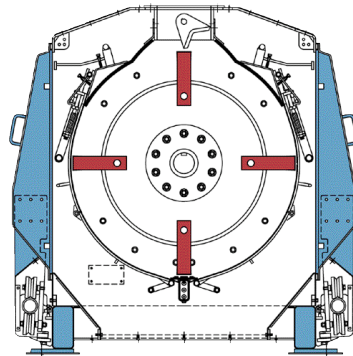
In conclusion, compared to other mills all of this offers you a higher pounds per horsepower per hour production or horsepower savings in production.

The drive package is factory aligned to a rigid tubular frame for accurate alignment of motor and mill.

We use a direct drive coupling which allows for exceptional alignment and reliability. The stub shaft bearings are of the highest industrial grade providing long life and reliability.

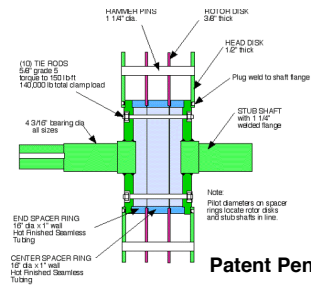
### THE SERVICEABILITY OF THIS MACHINE MATCHES ITS EXCEPTIONAL SIZE REDUCTION CAPABILITIES:

- Double roller glide doors
- Two point pivotal screen carriage design
- Two piece screen design for easy replacement
- Side slide out rotor access
- Easy Hammer replacement
- Easy Pin and Collar Replacement
- Keyed Bearing Replacement
- Highest quality Hammers and Screens
- Replaceable AR Wear Liner Kits Available



**CARTER DAY INTERNATIONAL**  
500 73rd Ave. N.E. Minneapolis, Minnesota 55432 Tel: (763) 571-1000 Fax: (763) 571-3012

## CARTER DAY HAMMERMILL ROTOR DESIGN US Patent 7 025,294 B2



Patent Pending

Hammermills need CFM in order to perform to their fullest potential so we offer the following options: Air discharge sub-base are designed for each of our models which include an air velocity control damper.

We have Bin-Vent System designed for each of our MZH Models. We provide the system less the product collector.

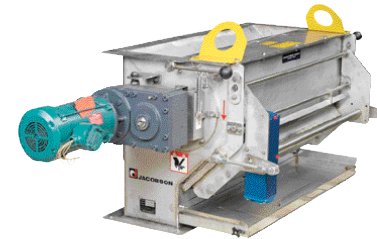
We also have many alliances with Product Collector companies who can assist you.

## CARTER DAY POCKET FEEDER AND FEED



STAINLESS STEEL POCKET FEEDER TO HANDLE ALL FREE FLOWING GRANULAR MATERIALS. THE FEEDER OFFERS THE FOLLOWING:

- 5-16 Rows covering all our hammermill designs
- Adjustable gate for product blow by or FM Blow By
- Product flow magnet with stripper plate.
- Pneumatic control or manual control magnet system.
- Shaft mounted gear reduction drive (direct drive)
- Pocket liners for high fat low flow products
- Inlet Air Flow Control
- Full Rotor Removal from Drive end for service.
- Collector Tray for tramp metals
- Optional Load Minder for MZH,COMMANDER AND XLT



**ADDITIONAL FEED OPTIONS AVAILABLE:**  
Destoner bolt on option for MZH, XLT and Commander  
Inlet with magnet for MZH,XLT and Commander  
Screw feeder option available for light bulk density product.

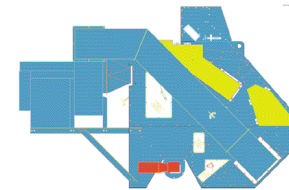
**CARTER DAY INTERNATIONAL**  
500 73rd Ave. N.E. Minneapolis, Minnesota 55432 Tel: (763) 571-1000 Fax: (763) 571-3012

## CARTER DAY CORN PRECLEANING 24" Modular Scalperator



For more than 75 years Carter Day has been manufacturing quality equipment. We continue this tradition with the 24" Scalperator for high capacity, one pass cleaning of incoming or outgoing grains, seeds, and rice.

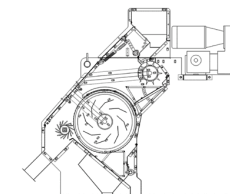
The 24" Scalperator features scalping, rescalping and aspiration in a single machine to provide a high capacity method for removing roughage, light fines and chaff in a single pass. Incoming grain passes through a rotating wire mesh scalping reel eliminating roughage and other oversized materials, a rescalping reel reclaims any good material from the overs, and high volume aspiration then removes the light materials.



### CLOSED CIRCUIT

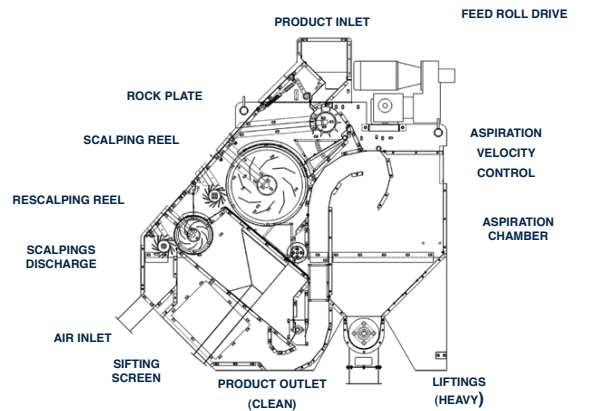
#### MAJOR FEATURES

- Molded Urethane Feed Roll
- HTD Drive
- Rock Plate
- Operator friendly machine controls
- Performance-engineered aspiration
- Self Contained Closed Circuit



**24" Modular Scalper**  
Same features as the 24" Scalper less the aspiration chamber.

Scalping Reel - mesh or perforated round  
Sift Screen - many sizes available



#### CORN CLEANING CAPACITY

28	56	84	112
BU/MT	BU/MT	BU/MT	BU/MT
1700/43.1	13400/ 86.4	5100/129.6	6800/172.8



Carter Day Lab

**CARTER DAY INTERNATIONAL**  
500 73rd Ave. N.E. Minneapolis, Minnesota 55432 Tel: (763) 571-1000 Fax: (763) 571-3012