

# CARTER DAY

Sizing & Separating Equipment



## Processing Equipment for Many Markets

- All Grains and Seed
- Petrochemical Plastics
- Size Reduction



# CARTER DAY

Sizing & Separating Equipment



Take what you know and grow from the inside!

At Carter Day we are always working to better our current products.

We strive to conquer customer applications requirements.

We strive to make machines the most reliable and long lasting products that we can.



**2Year  
Warranty**

# CARTER DAY

Sizing & Separating Equipment



## What's New For Rice Milling at Carter Day

UNIFLOW SEAL CONE TRUNION INLET

UNIFLOW TAPERED TROUGH

PHAT BOY UNIFLOW 36" DIAMETER 4 METERS LONG

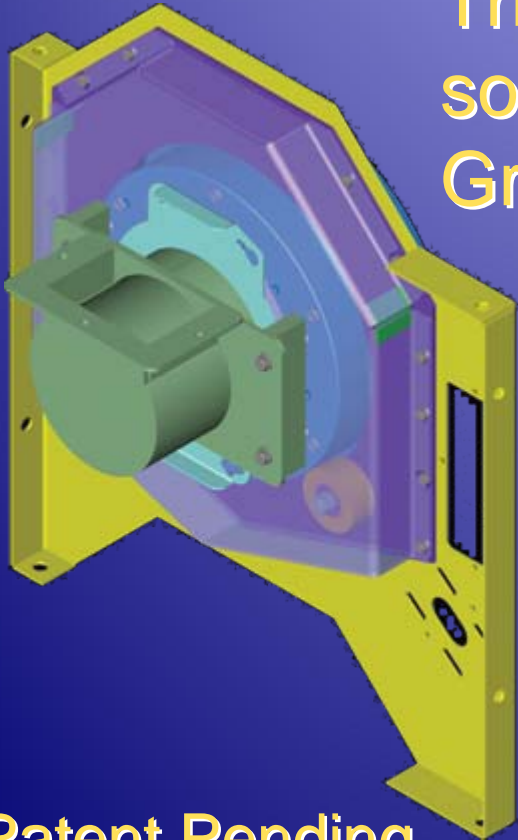
24" SCALP/SIFT PRE-CLEANER

24" SCALPERATOR INLINE MAGNET AND SAND SCREEN

12" PRECISION SIZER HTD DRIVE SYSTEM

## Seal Cone Trunnion Inlet

The New Seal Cone Trunnion inlet solves the problems of Leaking Length Grading Machines .



- Allows for a machined spout inlet to cylinder hub non-contact surface
- Allows for the seal to be removed from the processing area
- Allows for split seal and bushing seal options.

Patent Pending

## SEAL CONE MAKES IT POSSIBLE

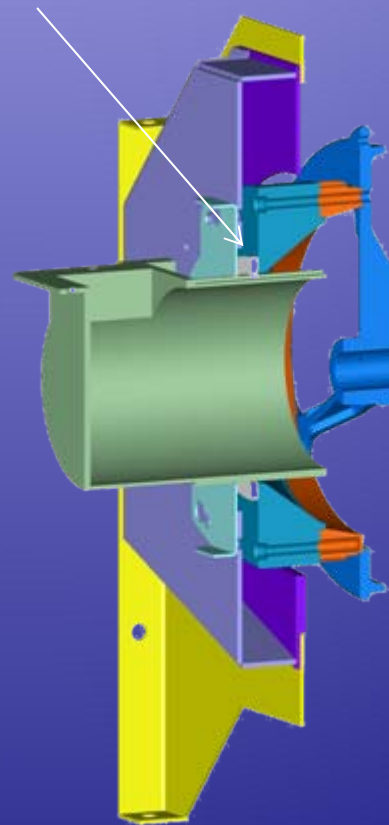
The Seal Cone is positioned within the cylinder assembly. The Seal cone attaches directly to the face of the cylinder mounting spider.



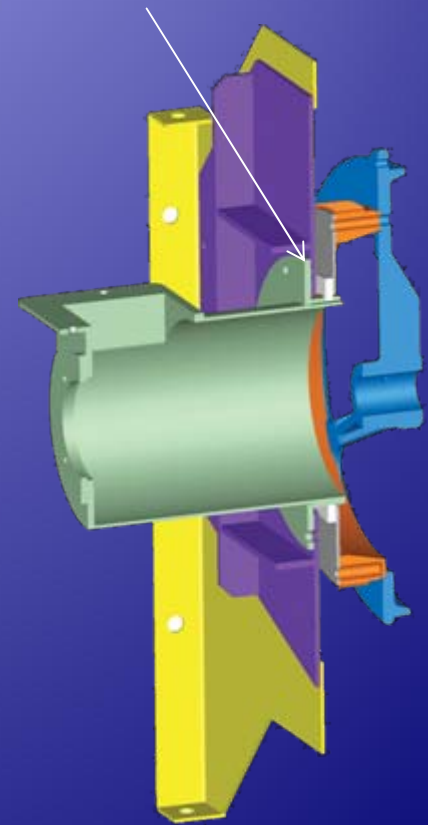
## THE BEST SEAL POSITION

- Seal cone moves the seal contact area up and back from the length grading process.
- Trunnions are used to center the cone on the inlet and support cone.
- Quick change split seals and bushing seals can be used.

New Seal Position

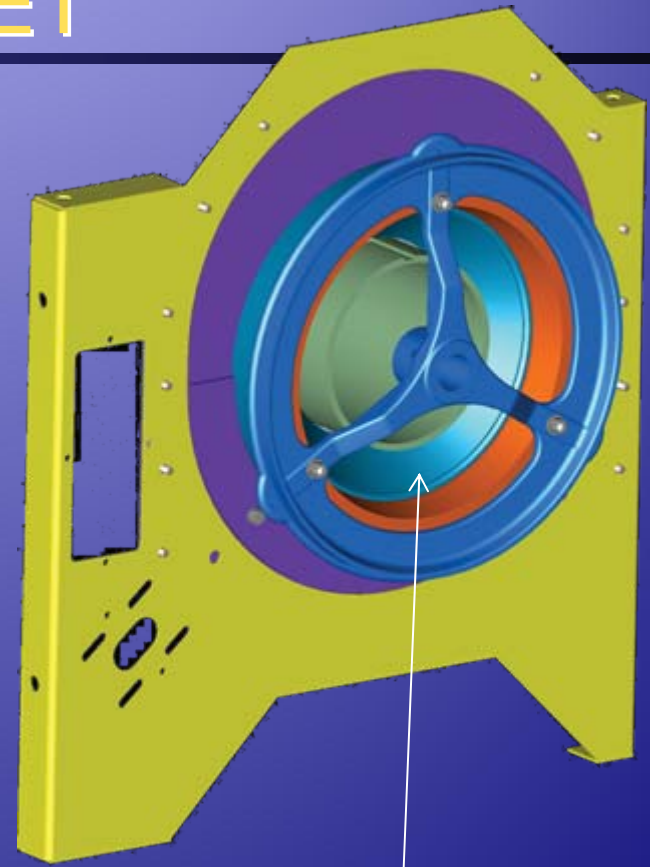


Standard Seal Position



## FREE FLOWING INLET

- Inlet discharge is moved far away from seal
- Tapered Cone allows for a more free flowing inlet.
- Tapered Cone allows for higher leak free inlet capacity.

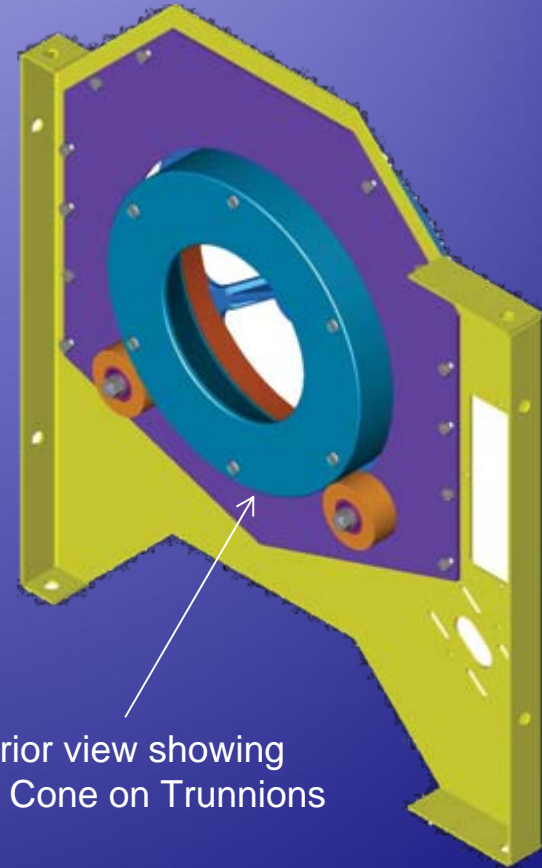


Interior View Of Seal Cone

**Patent  
Pending**

## UNIFLOW TRUNNION SYSTEM FOR SEAL CONE

- Trunnions allow for inlet centering
- Trunnions allow for reduced drive drag at high capacities
- Retro-Fittable on Modular Uniflow Designs.



Exterior view showing  
Seal Cone on Trunnions

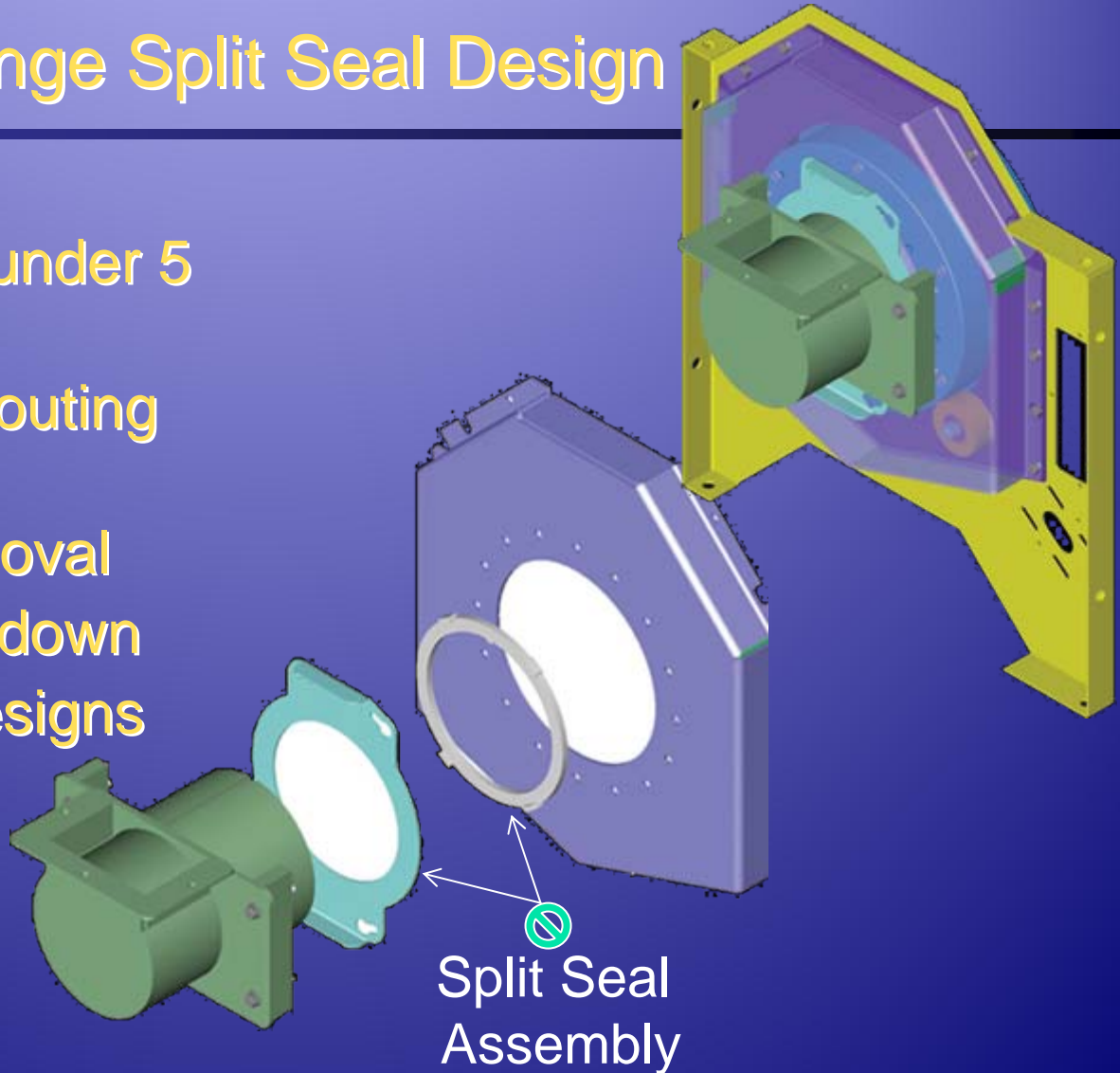
# CARTER DAY

Sizing & Separating Equipment



## Quick Change Split Seal Design

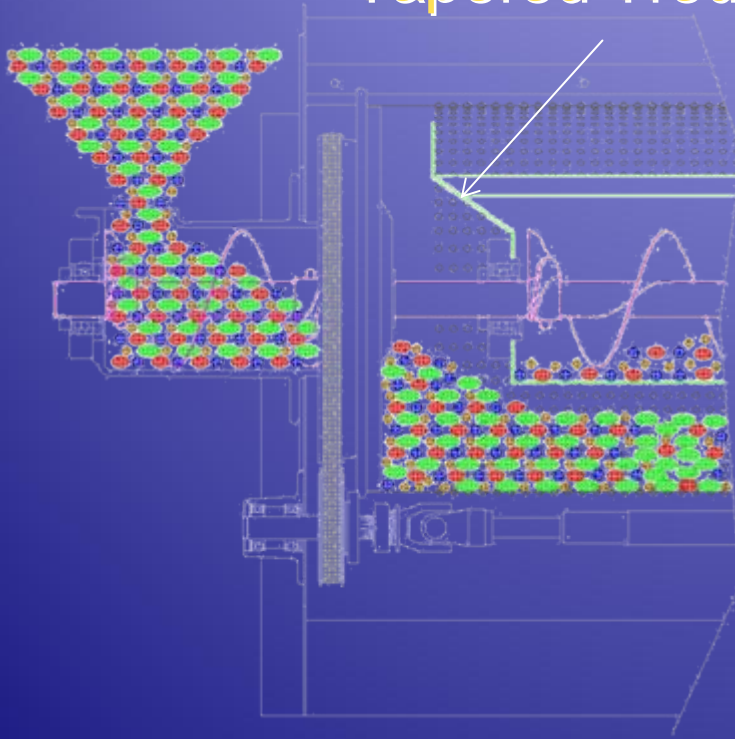
- Seal removal in under 5 minutes
- No Overhead spouting removal
- No endplate removal
- No Machine teardown
- Bushing Seal Designs available



PATENTED DESIGN

## UNIFLOW TAPERED TROUGH DESIGN – INLET TAPER

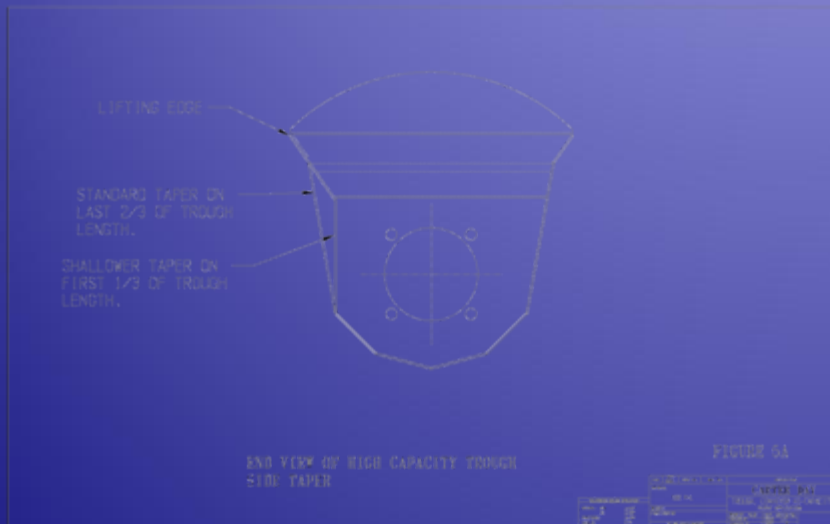
### Tapered Trough



- Increases product flow at the inlet
- Reduces product back up to the seal

### UNIFLOW TAPERED TROUGH DESIGN - LIFTING EDGE

- Increased product flow in the kidney
- Reduced lifted product pinching at the lifting edge and length grading errors.



# CARTER DAY

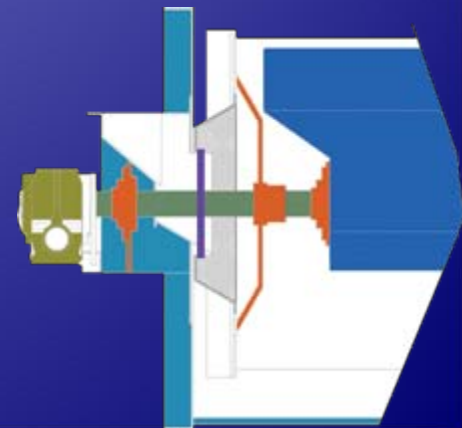
Sizing & Separating Equipment



## Phat Boy 36D-4M Uniflow Length Grader



- Patented 12 Segmented Cylinder Design.
- Cylinder Trunnion Supported Drive System
- Seal Cone Seal System
- \_\_\_\_\_ Spider Connection To Direct Drive Shaft
- Removable Spouting



SEAL CONE INLET

# CARTER DAY

Sizing & Separating Equipment



## Phat Boy 33D-4M PRECISION SIZER 12/2008

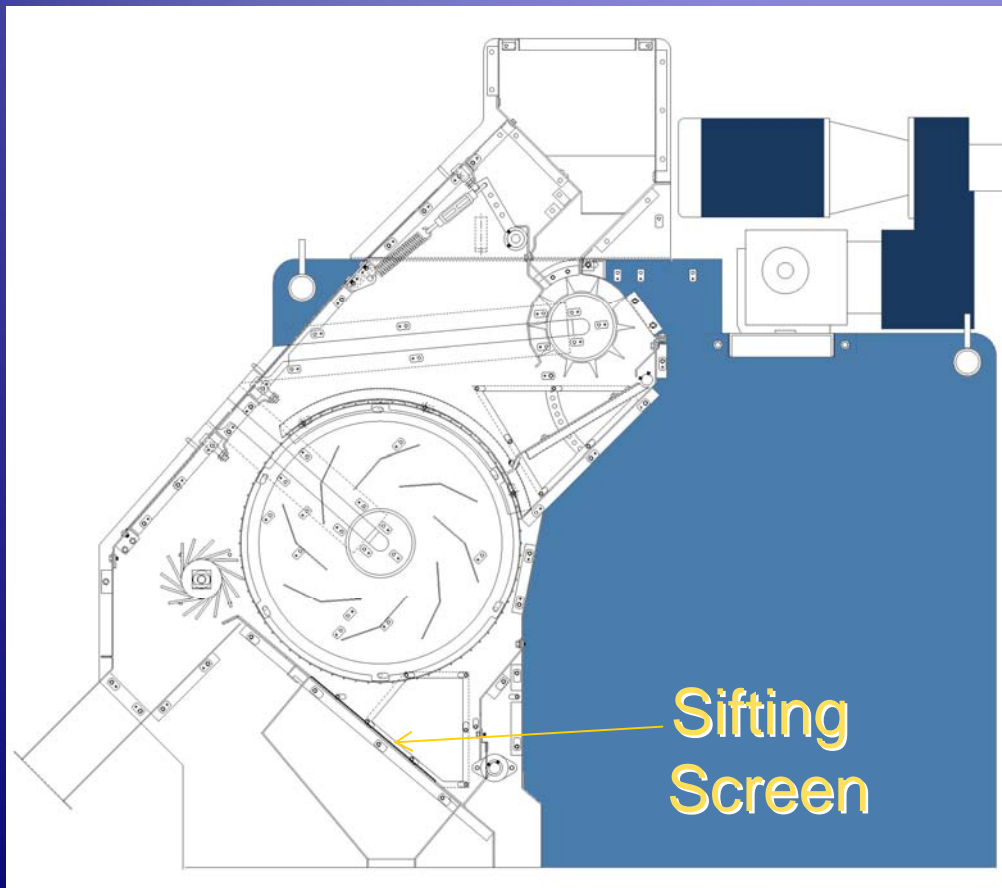


- TRIBAR SIZER SHELL CONFIGURATION
- Cylinder Trunnion Supported Drive System
- Seal Cone Seal System
- Spider Connection To Direct Drive Shaft
- Removable Spouting

SEAL  
CONE  
INLET

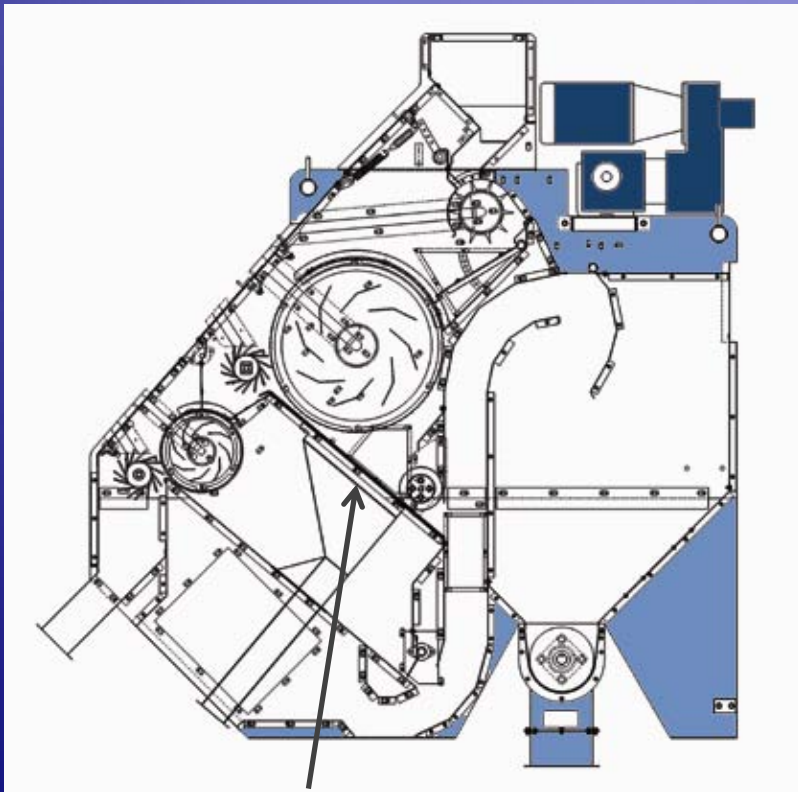


## 24" SCALPER/SIFT PRE-CLEANER



- 24" Scalper has both Scalp and Sift.
- 24" Scalper had a sand screen for fines pre-cleaning.
- 24" Scalper removes straw which makes Air Screen Cleaner run more efficiently.

## 24" SCALPERATOR INLINE MAGNET AND SAND SCREEN



Sand Screen

- Inlet Magnets prior to Scalping to Remove Tramp Metal
- Sand Screen to remove sand and brokens/fines prior to air pass
- Many sizes of sand screen and type available.

## Precision Sizer HTD Drive System



- Single HTD Belt Drive to Reducers
- Self aligning coupling drive between reducers
- Coupling drive reduces gear box seal wear.

# CARTER DAY

Sizing & Separating Equipment



## Precision Sizer Inlet Flow System



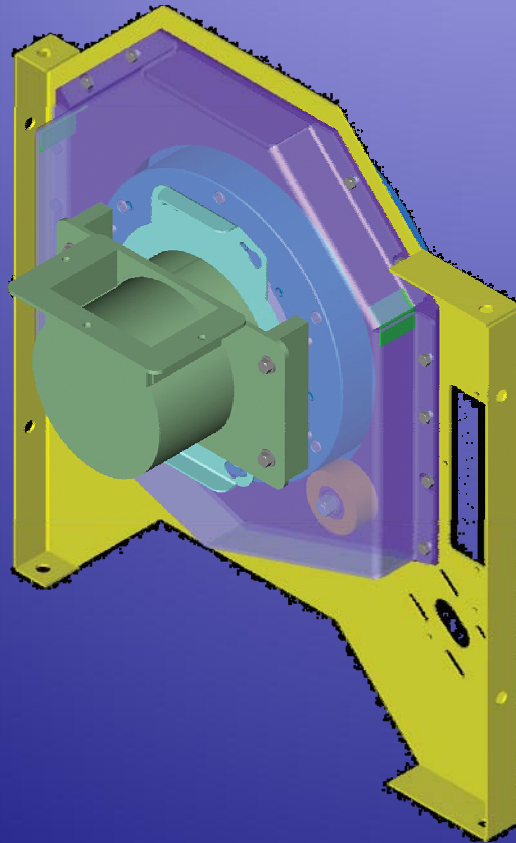
- Larger Inlet Hopper
- Slide Gate Flow Control
- Larger Inlet Tubing

# CARTER DAY

Sizing & Separating Equipment



Thank You For Your Attention



Please visit our booth  
to see the  
Patent Pending  
Seal Cone Inlet  
And Tapered Trough  
in our Uniflow Machine

Also to learn more about  
our products visit  
[www.carterday.com](http://www.carterday.com)